



C - PS



C - GGC



C - FSV



C - TMBV



C - FBV



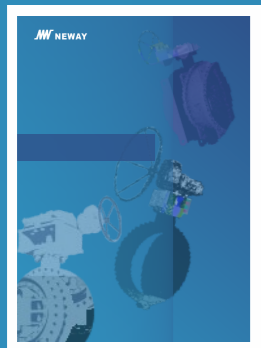
C - CBV



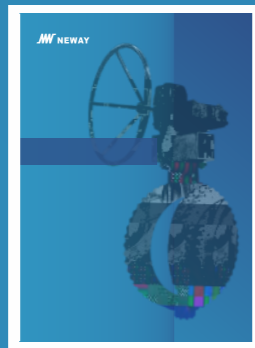
C - MMBV



C - FWBV



C - BFV



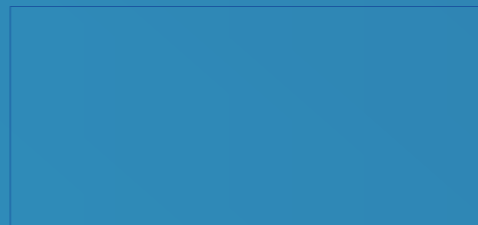
C - DOV



C - TOV



C - CPS





①

| | | | | | |
|---|-----------------|----------|---|----------------|---------|
| 1 | Class 150, 300 | 3/8" -8" | 1 | Class 150, 300 | 1" -40" |
| 2 | Class 600 | 3/8" -3" | 2 | Class 600, 900 | 1" -40" |
| 3 | Class 900, 1500 | 3/8" -2" | 3 | Class 1500 | 1" -24" |

②

| | | | | | | |
|-----|--|-----------|----|-----|--|--|
| BBG | | Class 600 | 2" | BSG | | |
| BG | | | | BEG | | |
| BDG | | | | | | |

③

| | | | | | |
|------------|-----|-----|-----|-----|------|
| | 1 | 3 | 6 | 9 | 15 |
| Class (LB) | 150 | 300 | 600 | 900 | 1500 |

④

| | | | |
|---|-----|---|-----|
| R | | S | |
| J | RTJ | N | NPT |
| B | | | |

⑤

| | | | |
|---|--|---|--|
| G | | M | |
| | | P | |

⑥

| | | | | | |
|--|-------------|--------------|-------------|--------------|--------------|
| | S00 | S01 | S02 | S03 | S40 |
| | CF8 | CF8M | CF3 | CF3M | F304 |
| | A351 Gr.CF8 | A351 Gr.CF8M | A351 Gr.CF3 | A351 Gr.CF3M | A182 Gr.F304 |

| | | | |
|--|--------------|---------------|---------------|
| | S41 | S42 | S43 |
| | F316 | F304L | F316L |
| | A182 Gr.F316 | A182 Gr.F304L | A182 Gr.F316L |

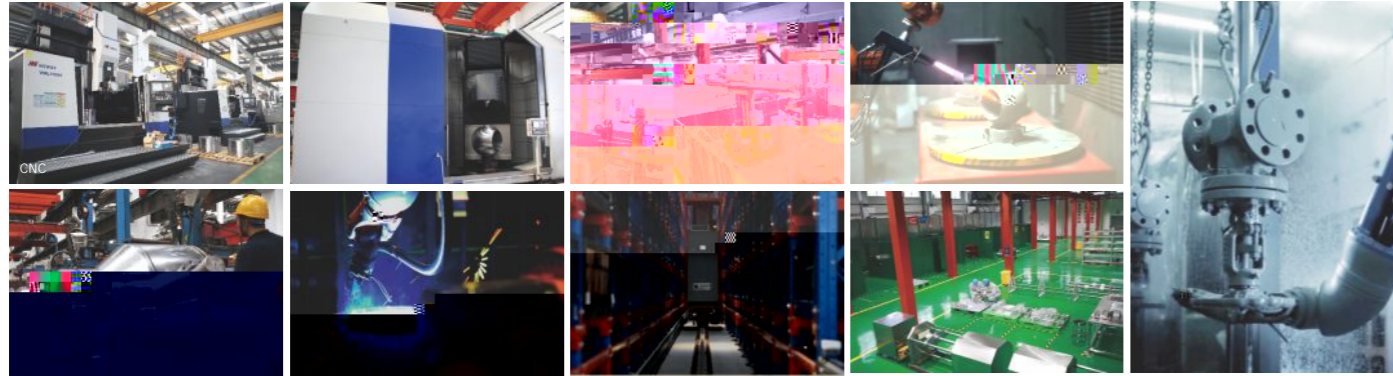
⑦

| | | | | | | | | | |
|---|---------------|---|---------|----|------------|----|------------|----|------------|
| 1 | RPTFE | G | | 22 | F304 | 22 | F304 | 22 | F304 |
| 3 | PEEK | L | Lipseal | 26 | F316/F316L | 26 | F316/F316L | 26 | F316/F316L |
| 8 | PCTFE | | | 30 | F304/F304L | 30 | F304/F304L | 30 | F304/F304L |
| A | Vespel SP-211 | | | 2X | FXM-19 | 2X | FXM-19 | 2X | FXM-19 |

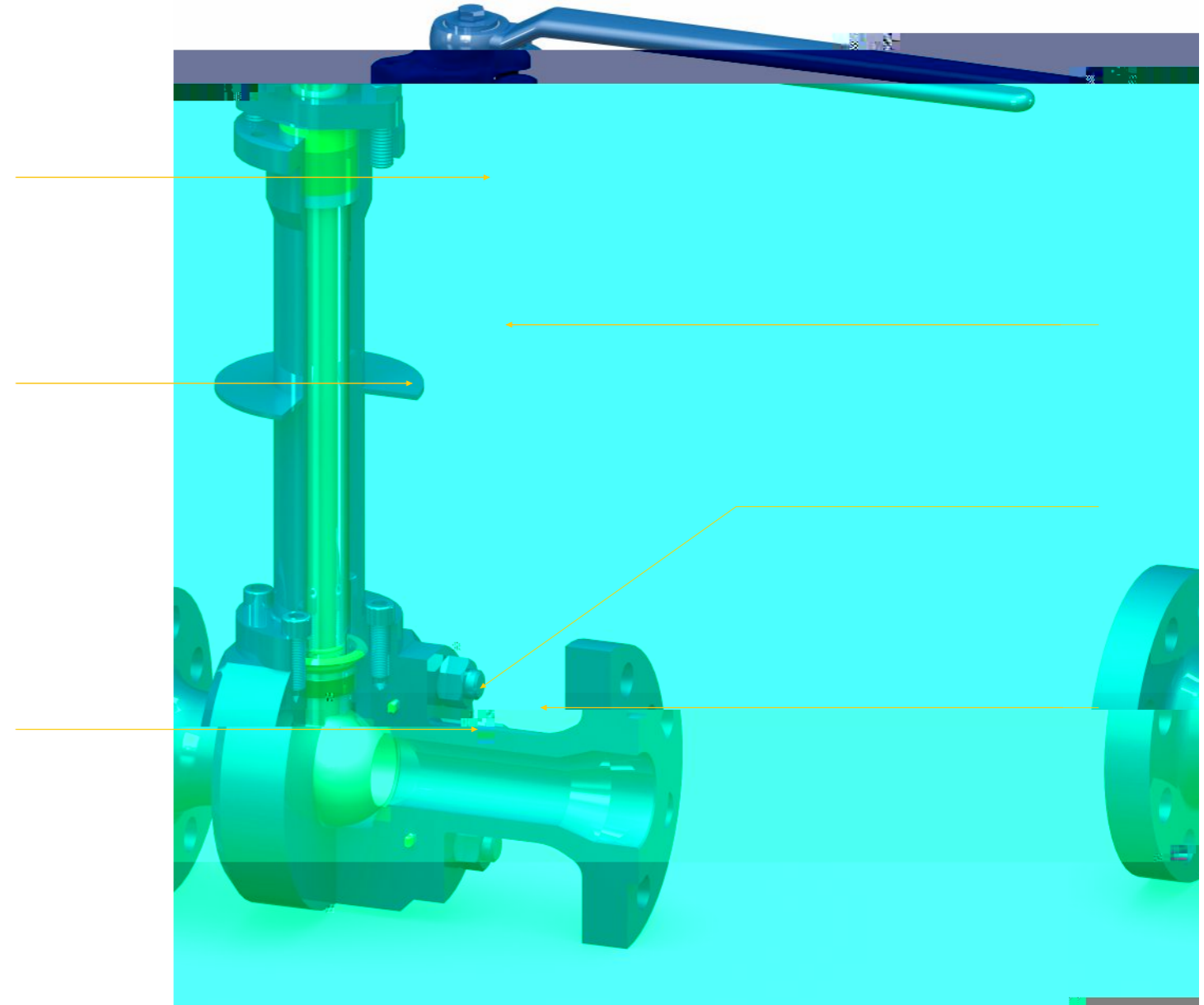
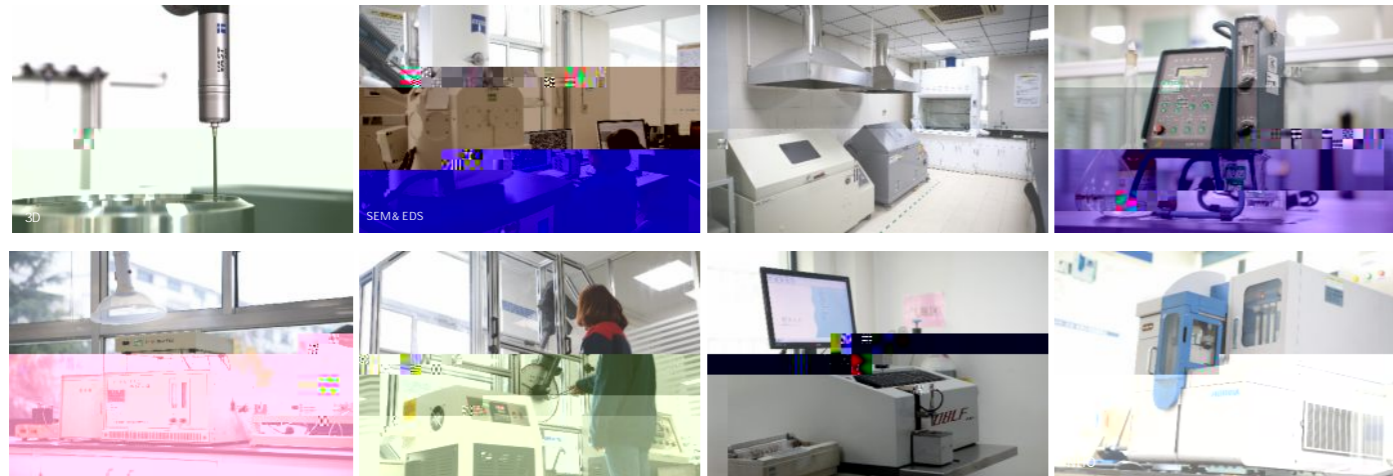
ERP

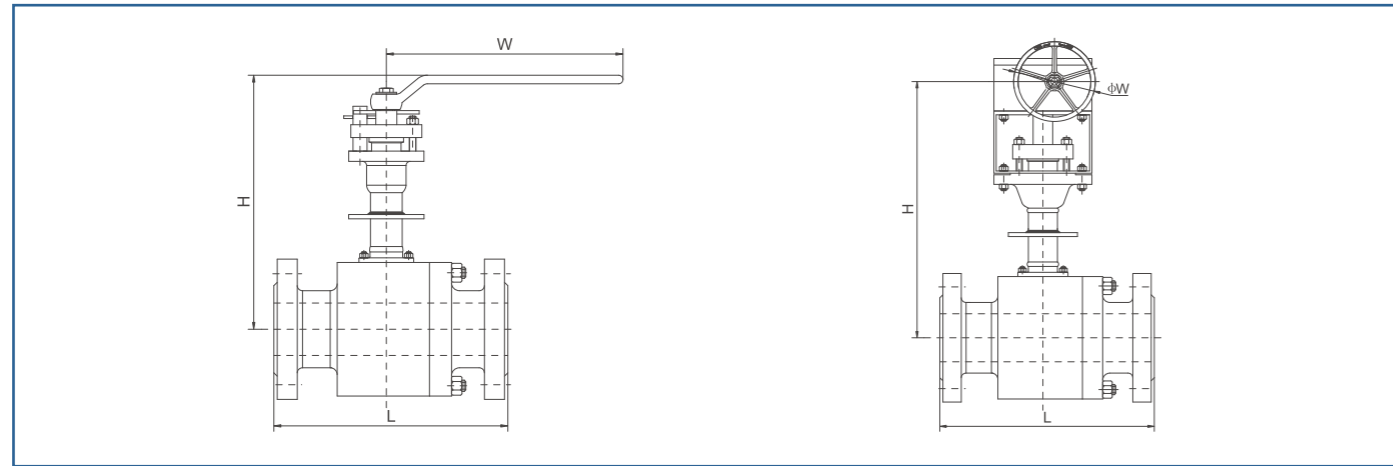
CNC

CNC



(MPI)、冲



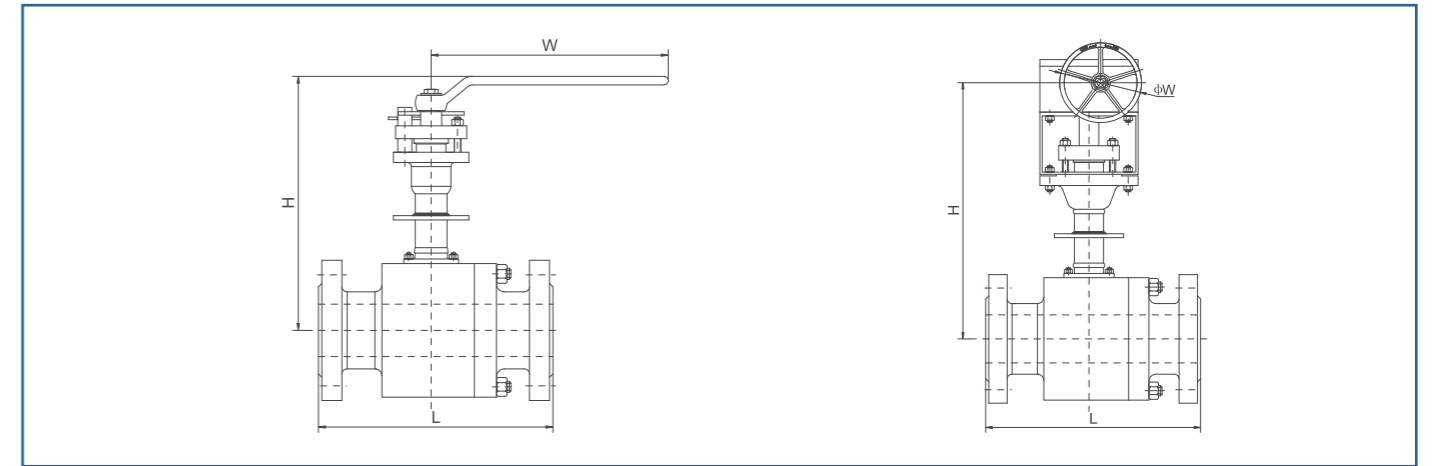


Class 150

| NPS | in | 1/2 | 3/4 | 1 | 1-1/2 | 2 | 3 | 4 | 6 | 8 |
|--------|----|-----|-----|-----|-------|-----|--------|--------|--------|--------|
| DN | mm | 15 | 20 | 25 | 40 | 50 | 80 | 100 | 150 | 200 |
| (RF)L | mm | 108 | 117 | 127 | 165 | 178 | 203 | 229 | 394 | 457 |
| H | mm | 326 | 336 | 343 | 416 | 432 | 508 | 602 | 739 | 783 |
| W | mm | 165 | 215 | 215 | 350 | 430 | 815(T) | 815(T) | 500(G) | 500(G) |
| WT(RF) | KG | 4 | 5 | 7 | 16 | 22 | 43 | 62 | 180 | 289 |

Class 300

| NPS | in | 1/2 | 3/4 | 1 | 1-1/2 | 2 | 3 | 4 | 6 | 8 |
|--------|----|-----|-----|-----|-------|-----|--------|--------|--------|--------|
| DN | mm | 15 | 20 | 25 | 40 | 50 | 80 | 100 | 150 | 200 |
| (RF)L | mm | 140 | 152 | 165 | 191 | 216 | 283 | 305 | 403 | 502 |
| H | mm | 328 | 340 | 347 | 420 | 439 | 516 | 615 | 789 | 843 |
| W | mm | 165 | 215 | 215 | 350 | 430 | 815(T) | 815(T) | 500(G) | 500(G) |
| WT(RF) | KG | 5 | 6 | 8 | 18 | 24 | 51 | 79 | 212 | 386 |

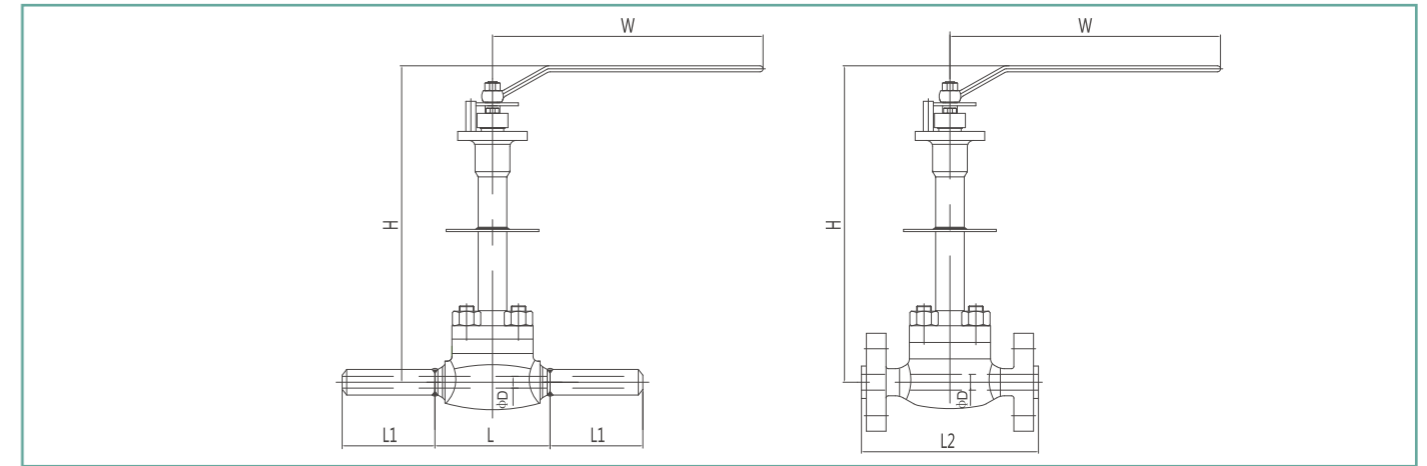
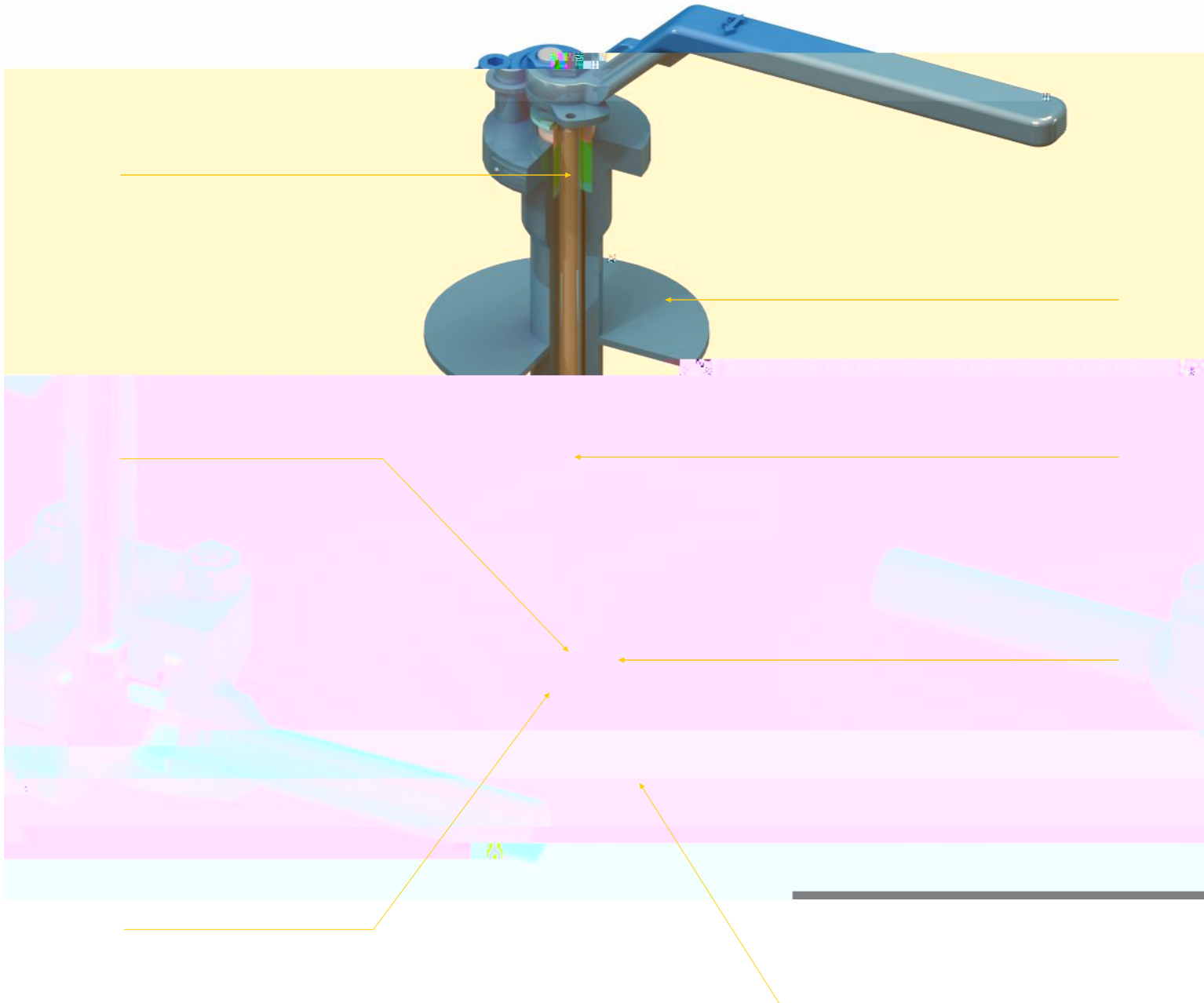


Class 600

| NPS | in | 1/2 | 3/4 | 1 | 1-1/2 | 2 | 3 |
|--------|----|-----|-----|-----|-------|--------|--------|
| DN | mm | 15 | 20 | 25 | 40 | 50 | 80 |
| (RF)L | mm | 165 | 191 | 216 | 241 | 292 | 356 |
| H | mm | 337 | 347 | 361 | 423 | 510 | 652 |
| W | mm | 215 | 215 | 350 | 600 | 300(G) | 400(G) |
| WT(RF) | KG | 8 | 9 | 15 | 27 | 52 | 82 |

Class 900 / 1500

| NPS | in | 1/2 | 3/4 | 1 | 1-1/2 | 2 |
|---------|----|-----|--------|--------|--------|--------|
| DN | mm | 15 | 20 | 25 | 40 | 50 |
| (RF)L | mm | 216 | 229 | 254 | 305 | 368 |
| H | mm | 354 | 369 | 400 | 482 | 579 |
| W | mm | 215 | 150(G) | 203(G) | 300(G) | 400(G) |
| WT(RTJ) | KG | 15 | 22 | 33 | 63 | 96 |

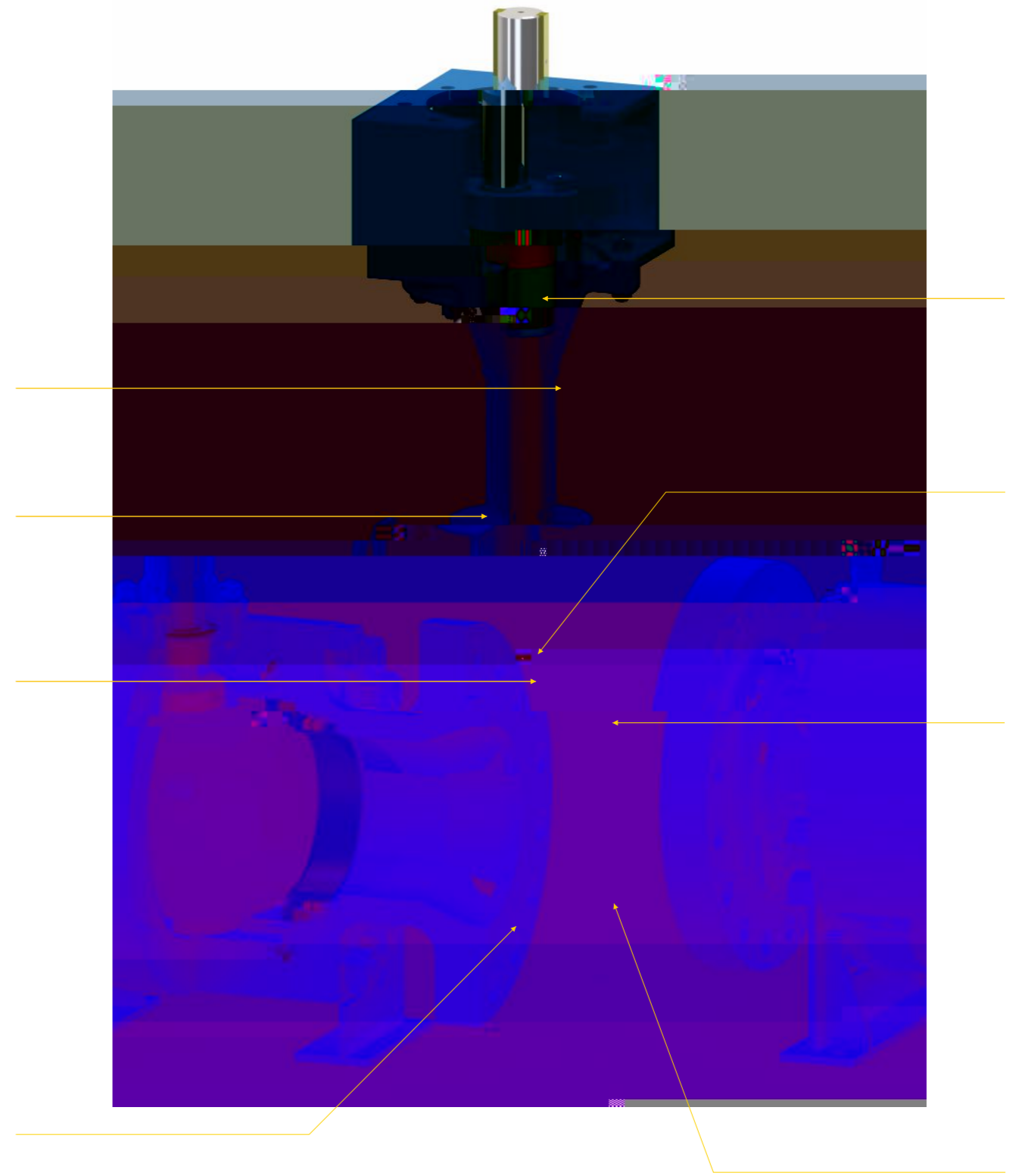


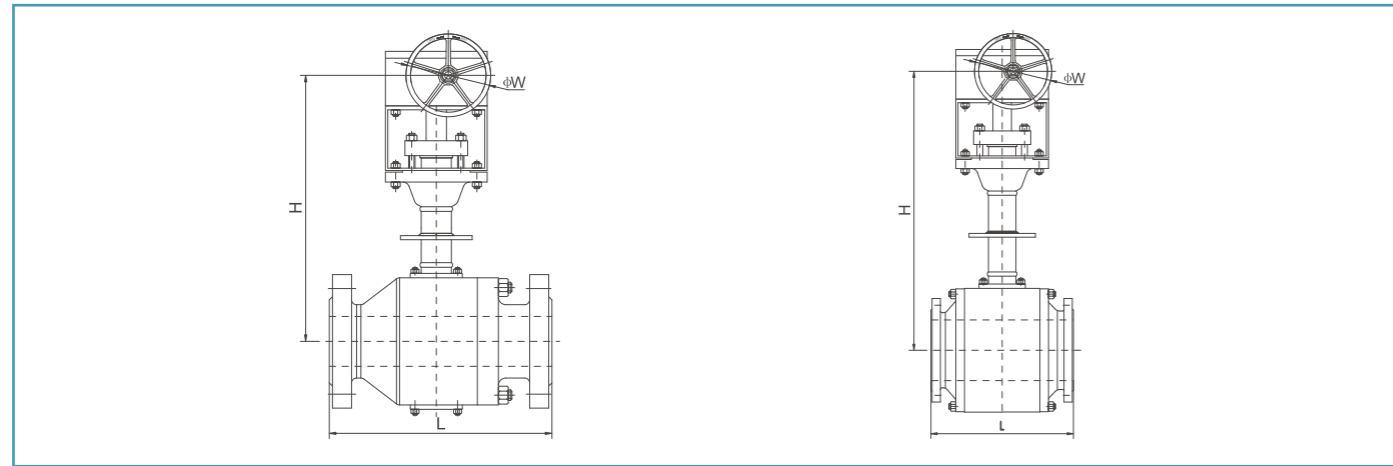
Class 150 / 300 / 600

| NPS | in | 1/2 | 3/4 | 1 | 1-1/2 | 2 | 3 |
|--------|----|-----|-----|-----|-------|-----|------|
| DN | mm | 15 | 20 | 25 | 40 | 50 | 80 |
| L | mm | 140 | 140 | 152 | 200 | 216 | 283 |
| L1 | mm | 100 | 100 | 100 | 100 | 100 | 100 |
| L2(RF) | mm | 165 | 191 | 216 | 241 | 292 | 356 |
| H | mm | 330 | 330 | 350 | 430 | 440 | 550 |
| W | mm | 215 | 215 | 350 | 350 | 430 | 430* |
| WT(RF) | KG | 8.5 | 8.5 | 12 | 28 | 43 | 96 |
| WT(BW) | KG | 8 | 8 | 11 | 25 | 40 | 87 |

Class 900 / 1500

| NPS | in | 1/2 | 3/4 | 1 | 1-1/2 | 2 |
|---------|----|-----|-----|-----|-------|-----|
| DN | mm | 15 | 20 | 25 | 40 | 50 |
| L | mm | 120 | 145 | 195 | 230 | 368 |
| L1 | mm | 100 | 100 | 100 | 100 | 100 |
| L2(RTJ) | mm | 216 | 229 | 254 | 305 | 368 |
| H | mm | 435 | 435 | 480 | 510 | 550 |
| W | mm | 350 | 350 | 430 | 500 | 600 |
| WT(RTJ) | KG | 17 | 17 | 28 | 46 | 100 |
| WT(BW) | KG | 15 | 15 | 24 | 41 | 90 |



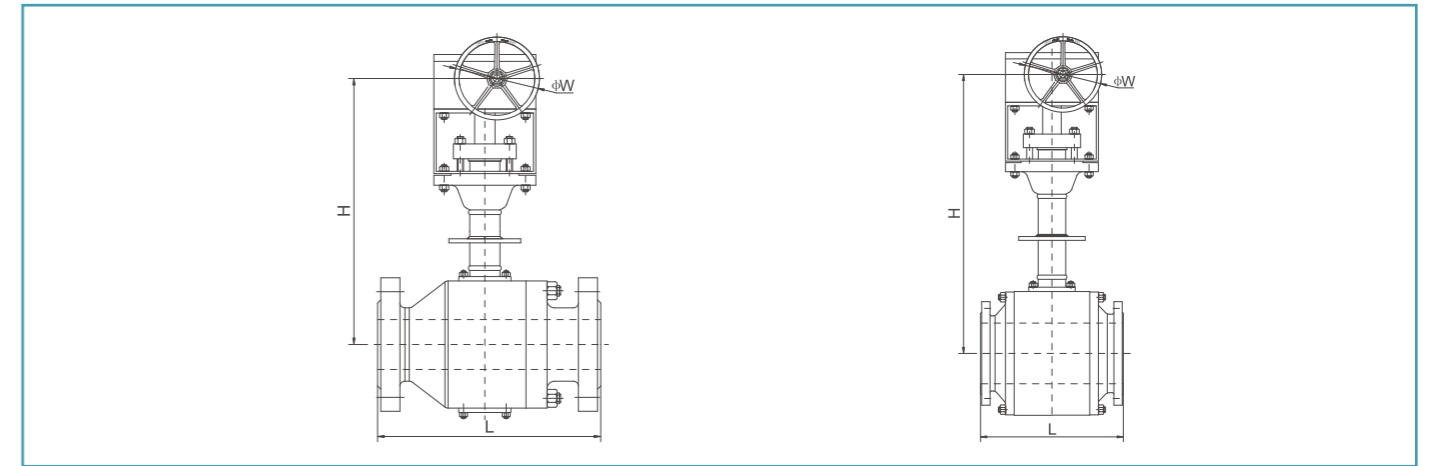


Class 150

| NPS | in | 2 | 3 | 4 | 6 | 8 | 10 | 12 | 14 | 16 | 18 | 20 | 22 | 24 |
|--------|----|-----|-----|-----|-----|-----|------|------|------|------|------|------|------|------|
| DN | mm | 50 | 80 | 100 | 150 | 200 | 250 | 300 | 350 | 400 | 450 | 500 | 550 | 600 |
| L(RF) | mm | 178 | 203 | 229 | 394 | 457 | 533 | 610 | 686 | 762 | 864 | 914 | 991 | 1067 |
| L(BW) | mm | 216 | 283 | 305 | 457 | 521 | 559 | 635 | 762 | 838 | 914 | 991 | 1067 | 1143 |
| H | mm | 472 | 591 | 669 | 847 | 948 | 1034 | 1068 | 1154 | 1186 | 1810 | 2020 | 2170 | 2470 |
| W | mm | 300 | 300 | 500 | 600 | 600 | 600 | 600 | 700 | 760 | 800 | 900 | 900 | 900 |
| WT(RF) | KG | 45 | 105 | 130 | 260 | 398 | 570 | 923 | 1380 | 1935 | 2295 | 3570 | 5040 | 6240 |
| WT(BW) | KG | 42 | 100 | 122 | 248 | 378 | 540 | 879 | 1320 | 1857 | 2200 | 3446 | 4880 | 6051 |

Class 300

| NPS | in | 2 | 3 | 4 | 6 | 8 | 10 | 12 | 14 | 16 | 18 | 20 | 22 | 24 |
|--------|----|-----|-----|-----|-----|-----|------|------|------|------|------|------|------|------|
| DN | mm | 50 | 80 | 100 | 150 | 200 | 250 | 300 | 350 | 400 | 450 | 500 | 550 | 600 |
| L(RF) | mm | 216 | 283 | 305 | 403 | 502 | 568 | 648 | 762 | 838 | 914 | 991 | 1092 | 1143 |
| L(BW) | mm | 216 | 283 | 305 | 403 | 502 | 568 | 648 | 762 | 838 | 914 | 991 | 1092 | 1143 |
| H | mm | 472 | 591 | 669 | 847 | 948 | 1034 | 1068 | 1154 | 1186 | 1810 | 2020 | 2170 | 2470 |
| W | mm | 300 | 300 | 500 | 600 | 600 | 600 | 600 | 700 | 760 | 800 | 900 | 900 | 900 |
| WT(RF) | KG | 50 | 111 | 144 | 286 | 613 | 719 | 1096 | 1385 | 1940 | 2300 | 3575 | 5045 | 6245 |
| WT(BW) | KG | 49 | 109 | 141 | 280 | 604 | 706 | 1077 | 1359 | 1906 | 2258 | 3525 | 4985 | 6174 |

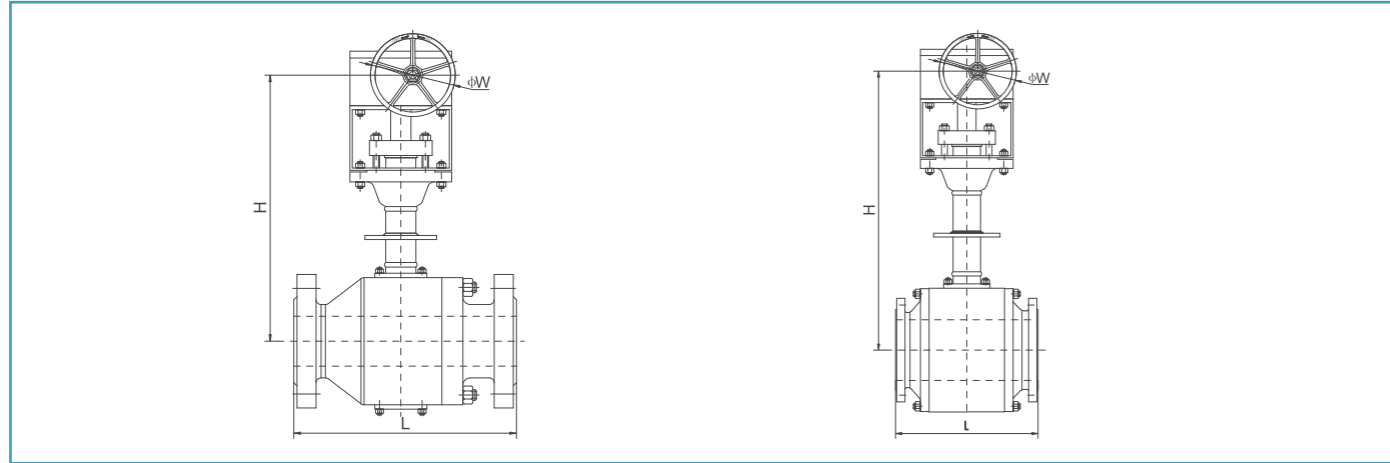


Class 600

| NPS | in | 2 | 3 | 4 | 6 | 8 | 10 | 12 | 14 | 16 | 18 | 20 | 22 | 24 |
|--------|----|-----|-----|-----|-----|-----|------|------|------|------|------|------|------|------|
| DN | mm | 50 | 80 | 100 | 150 | 200 | 250 | 300 | 350 | 400 | 450 | 500 | 550 | 600 |
| L(RF) | mm | 292 | 356 | 432 | 559 | 660 | 787 | 838 | 889 | 991 | 1092 | 1194 | 1295 | 1397 |
| L(BW) | mm | 292 | 356 | 432 | 559 | 660 | 787 | 838 | 889 | 991 | 1092 | 1194 | 1295 | 1397 |
| H | mm | 472 | 591 | 669 | 853 | 977 | 1046 | 1108 | 1184 | 1226 | 1840 | 2050 | 2200 | 2500 |
| W | mm | 300 | 500 | 500 | 600 | 600 | 760 | 760 | 760 | 760 | 800 | 900 | 900 | 900 |
| WT(RF) | KG | 60 | 116 | 196 | 359 | 719 | 987 | 1370 | 1674 | 1950 | 2310 | 3585 | 5055 | 6255 |
| WT(BW) | KG | 55 | 106 | 175 | 319 | 669 | 900 | 1260 | 1343 | 1760 | 2080 | 3305 | 4745 | 5883 |

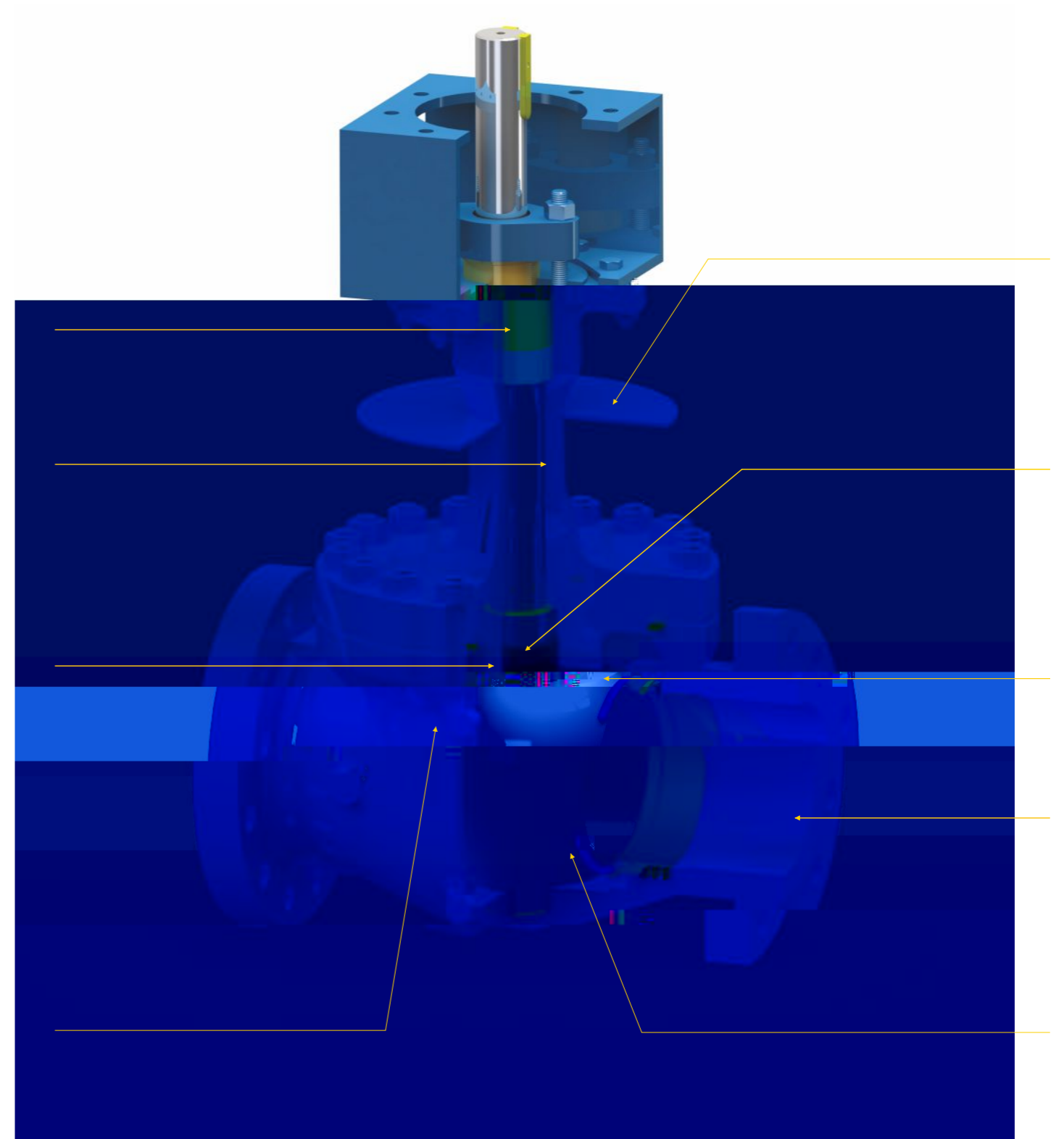
Class 900

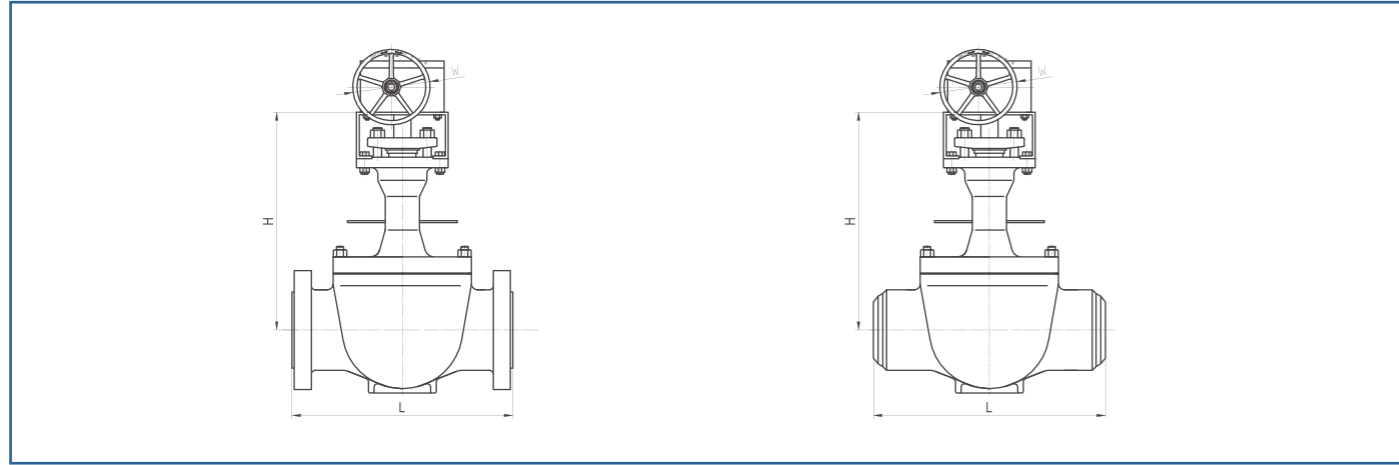
| NPS | in | 1/2 | 3/4 | 1 | 1-1/2 | 2 | 3 | 4 | 6 | 8 | 10 | 12 | 14 | 16 | 18 | 20 | 22 | 24 |
|---------|----|-----|-----|-----|-------|-----|-----|-----|-----|------|------|------|------|------|------|------|-------|------|
| DN | mm | 15 | 20 | 25 | 40 | 50 | 80 | 100 | 150 | 200 | 250 | 300 | 350 | 400 | 450 | 500 | 550 | 600 |
| L(RTJ) | mm | 216 | 229 | 254 | 305 | 368 | 381 | 457 | 610 | 737 | 838 | 965 | 1029 | 1130 | 1219 | 1321 | 1435* | 1549 |
| L(BW) | mm | 216 | 229 | 254 | 305 | 368 | 381 | 457 | 610 | 737 | 838 | 965 | 1029 | 1130 | 1219 | 1321 | 1435* | 1549 |
| H | mm | 460 | 460 | 460 | 500 | 500 | 630 | 687 | 890 | 1084 | 1144 | 1300 | 1550 | 1800 | 2060 | 2400 | 2650 | 2940 |
| W | mm | 200 | 200 | 200 | 300 | 500 | 500 | 600 | 600 | 760 | 760 | 800 | 800 | 800 | 900 | 900 | 900 | 900 |
| WT(RTJ) | KG | 18 | 25 | 35 | 63 | 165 | 277 | 618 | 745 | 1045 | 1562 | 1760 | 2266 | 2965 | 3380 | 5470 | 6750 | 7940 |
| WT(BW) | KG | 16 | 21 | 31 | 58 | 154 | 262 | 595 | 715 | 960 | 1425 | 1580 | 1960 | 2720 | 3070 | 5080 | 6180 | 7265 |



Class 1500

| NPS | in | 1/2 | 3/4 | 1 | 1-1/2 | 2 | 3 | 4 | 6 | 8 | 10 | 12 | 14 | 16 | 18 | 20 | 22 | 24 |
|----------|----|-----|-----|-----|-------|-----|-----|-----|-----|------|------|------|------|------|------|------|------|------|
| DN | mm | 15 | 20 | 25 | 40 | 50 | 80 | 100 | 150 | 200 | 250 | 300 | 350 | 400 | 450 | 500 | 550 | 600 |
| L(RTJ) | mm | 216 | 229 | 254 | 305 | 368 | 470 | 546 | 705 | 832 | 991 | 1130 | 1257 | 1384 | 1537 | 1664 | 1803 | 1943 |
| L(BW) | mm | 216 | 229 | 254 | 305 | 371 | 473 | 549 | 711 | 841 | 1000 | 1146 | 1276 | 1407 | 1537 | 1664 | 1803 | 1943 |
| H | mm | 500 | 500 | 500 | 520 | 650 | 700 | 730 | 860 | 1020 | 1500 | 1590 | 1680 | 1890 | 1925 | 2175 | 2425 | 2680 |
| W | mm | 300 | 300 | 300 | 500 | 600 | 500 | 600 | 600 | 760 | 760 | 900 | 900 | 900 | 1000 | 1000 | 1000 | 1000 |
| WT (RTJ) | KG | 18 | 25 | 35 | 63 | 70 | 140 | 220 | 790 | 1120 | 1620 | 2950 | 3185 | 3850 | 5135 | 6180 | 7986 | 9675 |
| WT (BW) | KG | 16 | 22 | 31 | 57 | 50 | 105 | 178 | 660 | 912 | 1264 | 2415 | 2470 | 2921 | 3880 | 4662 | 6010 | 7181 |



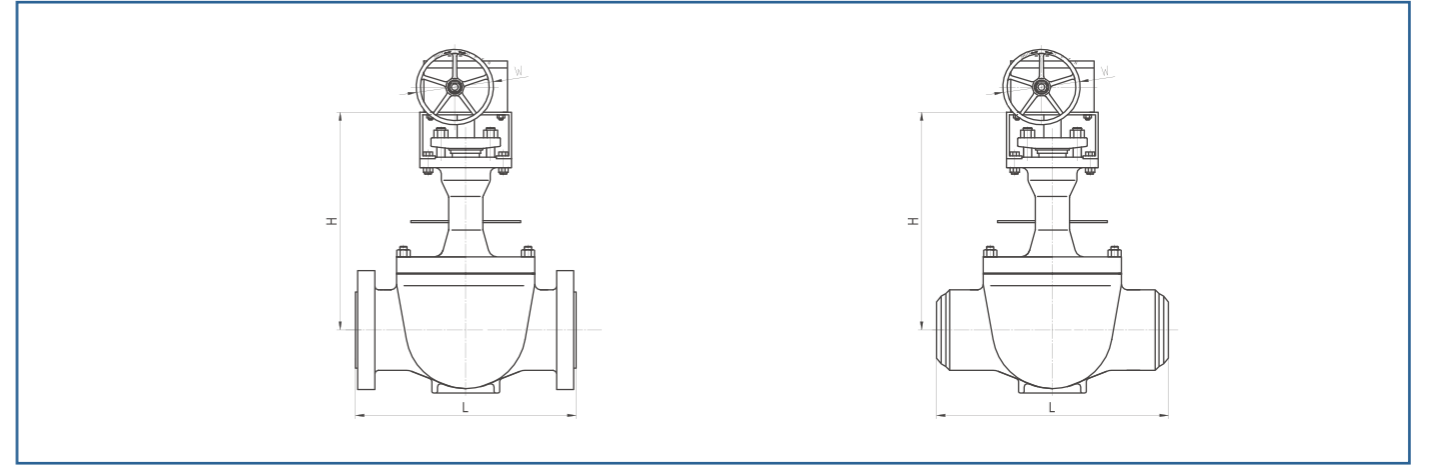


Class 150

| NPS | in | 1/2 | 3/4 | 1 | 1-1/2 | 2 | 3 | 4 | 6 | 8 | 10 | 12 | 14 | 16 | 18 | 20 | 22 | 24 |
|--------|----|------|------|------|-------|-----|-----|-----|-----|------|------|------|------|------|------|------|------|------|
| DN | mm | 15 | 20 | 25 | 40 | 50 | 80 | 100 | 150 | 200 | 250 | 300 | 350 | 400 | 450 | 500 | 550 | 600 |
| L(RF) | mm | 175 | 175 | 191 | 241 | 292 | 356 | 432 | 559 | 660 | 787 | 838 | 889 | 991 | 1092 | 1194 | 1295 | 1397 |
| L(BW) | mm | 191 | 191 | 191 | 241 | 292 | 356 | 432 | 559 | 660 | 787 | 838 | 889 | 991 | 1092 | 1194 | 1295 | 1397 |
| H | mm | 420 | 420 | 420 | 450 | 454 | 580 | 650 | 797 | 1004 | 1050 | 1100 | 1190 | 1230 | 1870 | 2100 | 2240 | 2550 |
| W | mm | 350* | 350* | 350* | 300 | 300 | 300 | 500 | 600 | 600 | 600 | 600 | 700 | 760 | 800 | 900 | 900 | 900 |
| WT(RF) | KG | 31 | 32 | 36 | 45 | 49 | 95 | 160 | 292 | 584 | 801 | 1030 | 1535 | 2150 | 2550 | 3970 | 5600 | 6940 |
| WT(BW) | KG | 30 | 30 | 34 | 42 | 46 | 89 | 152 | 280 | 566 | 776 | 990 | 1483 | 2085 | 2475 | 3880 | 5495 | 6820 |

Class 300

| NPS | in | 1/2 | 3/4 | 1 | 1-1/2 | 2 | 3 | 4 | 6 | 8 | 10 | 12 | 14 | 16 | 18 | 20 | 22 | 24 |
|--------|----|------|------|------|-------|-----|-----|-------|-----|------|------|------|------|------|------|------|------|------|
| DN | mm | 15 | 20 | 25 | 40 | 50 | 80 | 100 | 150 | 200 | 250 | 300 | 350 | 400 | 450 | 500 | 550 | 600 |
| L(RF) | mm | 175 | 175 | 191 | 241 | 292 | 356 | 432 | 559 | 660 | 787 | 838 | 889 | 991 | 1092 | 1194 | 1295 | 1397 |
| L(BW) | mm | 191 | 191 | 191 | 241 | 292 | 356 | 432 | 559 | 660 | 787 | 838 | 889 | 991 | 1092 | 1194 | 1295 | 1397 |
| H | mm | 420 | 420 | 420 | 450 | 454 | 580 | 650 | 797 | 1004 | 1050 | 1100 | 1190 | 1230 | 1870 | 2100 | 2240 | 2550 |
| W | mm | 350* | 350* | 350* | 300 | 300 | 300 | 500 | 600 | 600 | 600 | 600 | 700 | 760 | 800 | 900 | 900 | 900 |
| WT(RF) | KG | 31 | 32 | 37 | 48 | 52 | 98 | 168.5 | 308 | 616 | 845 | 1220 | 1540 | 2160 | 2560 | 3980 | 5610 | 6940 |
| WT(BW) | KG | 30 | 30 | 34 | 42 | 48 | 90 | 156.5 | 288 | 585 | 801 | 1155 | 1451 | 2047 | 2420 | 3812 | 5408 | 6704 |



Class 600

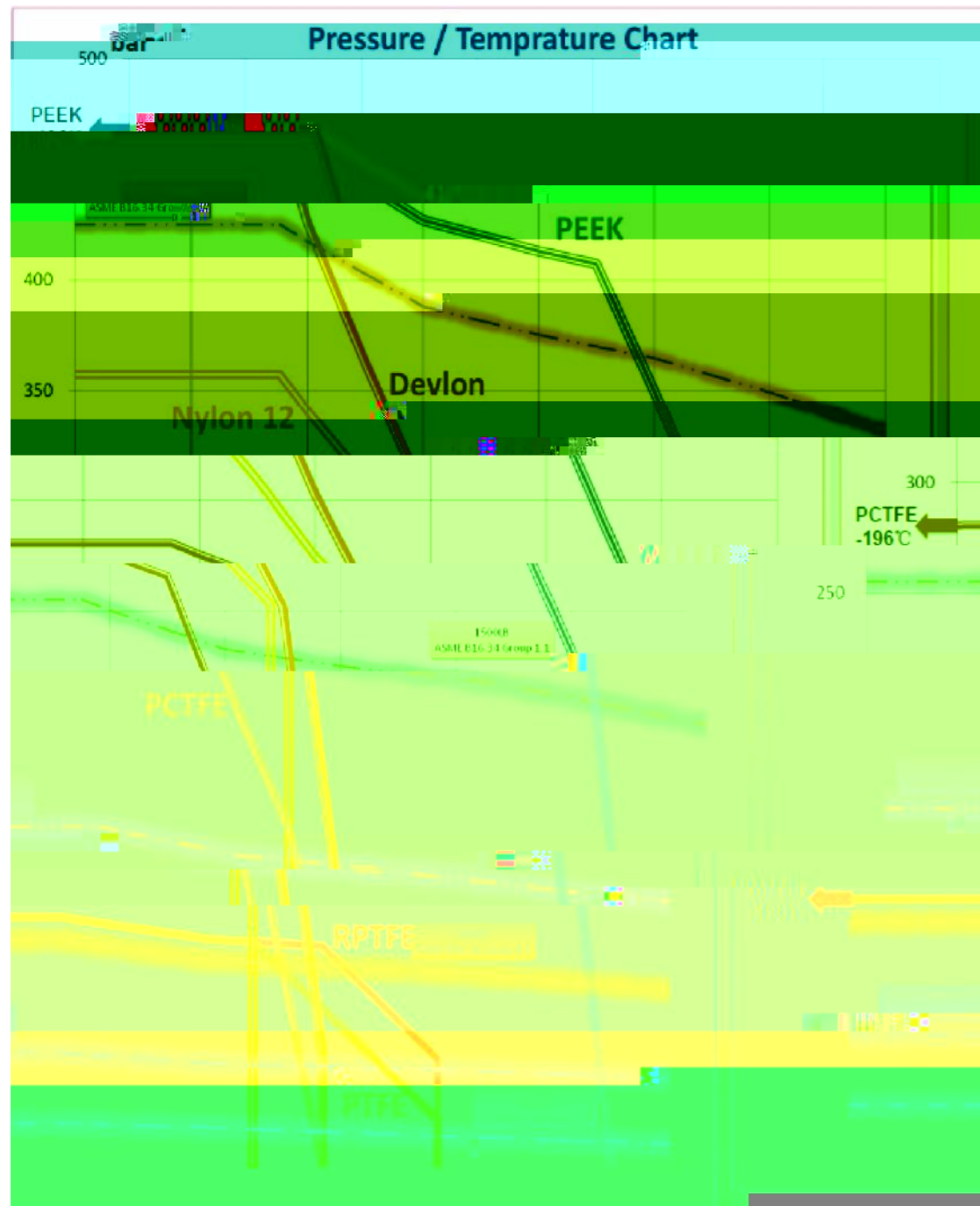
| NPS | in | 1/2 | 3/4 | 1 | 1-1/2 | 2 | 3 | 4 | 6 | 8 | 10 | 12 | 14 | 16 | 18 | 20 | 22 | 24 |
|--------|----|------|------|------|-------|-----|-----|-----|-----|------|------|------|------|------|------|------|------|------|
| DN | mm | 15 | 20 | 25 | 40 | 50 | 80 | 100 | 150 | 200 | 250 | 300 | 350 | 400 | 450 | 500 | 550 | 600 |
| L(RF) | mm | 254 | 254 | 254 | 241 | 292 | 356 | 432 | 559 | 660 | 787 | 838 | 889 | 991 | 1092 | 1194 | 1295 | 1397 |
| L(BW) | mm | 191 | 191 | 191 | 241 | 292 | 356 | 432 | 559 | 660 | 787 | 838 | 889 | 991 | 1092 | 1194 | 1295 | 1397 |
| H | mm | 420 | 420 | 420 | 450 | 454 | 580 | 650 | 801 | 1034 | 1100 | 1150 | 1220 | 1265 | 1900 | 2120 | 2270 | 2580 |
| W | mm | 350* | 350* | 350* | 300 | 300 | 500 | 500 | 600 | 600 | 760 | 760 | 760 | 760 | 800 | 900 | 900 | 900 |
| WT(RF) | KG | 31 | 34 | 38 | 45 | 54 | 105 | 177 | 324 | 648 | 889 | 1525 | 1860 | 2170 | 2570 | 3985 | 5620 | 5950 |
| WT(BW) | KG | 30 | 30 | 34 | 40 | 49 | 95 | 160 | 286 | 597 | 801 | 1420 | 1735 | 1990 | 2350 | 3715 | 5300 | 5578 |

Class 900

| NPS | in | 1/2 | 3/4 | 1 | 1-1/2 | 2 | 3 | 4 | 6 | 8 | 10 | 12 | 14 | 16 | 18 | 20 | 22 | 24 |
|---------|----|-----|-----|-----|-------|-----|-----|-----|-----|-----|-----|------|------|------|------|------|------|------|
| DN | mm | 15 | 20 | 25 | 40 | 50 | 80 | 100 | 150 | 200 | 250 | 300 | 350 | 400 | 450 | 500 | 550 | 600 |
| L(RTJ) | mm | 272 | 272 | 272 | 305 | 368 | 381 | 457 | 610 | 737 | 838 | 965 | 1029 | 1130 | 1219 | 1321 | 1435 | 1549 |
| L(BW) | mm | 230 | 230 | 244 | 241 | 368 | 381 | 457 | 610 | 737 | 838 | 965 | 1029 | 1130 | 1219 | 1321 | 1435 | 1549 |
| H | mm | 440 | 440 | 440 | 480 | 520 | 580 | 650 | 730 | 810 | 910 | 1000 | 1130 | 1260 | 1980 | 2220 | 2370 | 2680 |
| W | mm | 200 | 200 | 200 | 300 | 500 | 500 | 600 | 600 | 760 | 760 | 800 | 800 | 800 | 900 | 900 | 900 | 900 |
| WT(RTJ) | KG | 40 | 45 | 46 | 55 | 68 | 135 | 220 | 450 | 690 | 950 | 1720 | 2113 | 2458 | 3614 | 4259 | 5835 | 7608 |
| WT(BW) | KG | 38 | 42 | 42 | 50 | 63 | 125 | 203 | 412 | 639 | 870 | 1615 | 1990 | 2283 | 3395 | 3980 | 5315 | 7238 |

Class 1500

| NPS | in | 1/2 | 3/4 | 1 | 1-1/2 | 2 | 3 | 4 | 6 | 8 | 10 | 12 | 14 | 16 | 18 | 20 | 22 | 24 |
|---------|----|-----|-----|-----|-------|-----|-----|-----|-----|------|------|------|------|------|------|------|------|-------|
| DN | mm | 15 | 20 | 25 | 40 | 50 | 80 | 100 | 150 | 200 | 250 | 300 | 350 | 400 | 450 | 500 | 550 | 600 |
| L(RTJ) | mm | 272 | 272 | 272 | 305 | 368 | 470 | 546 | 705 | 832 | 991 | 1130 | 1257 | 1384 | 1537 | 1664 | 1800 | 1950 |
| L(BW) | mm | 230 | 230 | 244 | 241 | 371 | 473 | 549 | 711 | 841 | 1000 | 1146 | 1276 | 1407 | 1559 | 1686 | 1829 | 1972 |
| H | mm | 500 | 500 | 500 | 550 | 600 | 650 | 700 | 850 | 1000 | 1290 | 1350 | 1500 | 1690 | 2180 | 2430 | 2610 | 2810 |
| W | mm | 300 | 300 | 300 | 500 | 600 | 500 | 600 | 600 | 760 | 760 | 900 | 900 | 900 | 1000 | 1000 | 1000 | 1000 |
| WT(RTJ) | KG | 43 | 48 | 50 | 55 | 68 | 150 | 250 | 580 | 850 | 1395 | 2070 | 2850 | 3670 | 5686 | 6637 | 8565 | 11530 |
| WT(BW) | KG | 40 | 45 | 45 | 50 | 48 | 114 | 195 | 150 | 638 | 1040 | 1535 | 2138 | 3745 | 4450 | 5120 | 6590 | 9040 |



Note:

| | | |
|-----------------------------------|-----------------------------------|------------------------------------|
| PEEK: | Devlon: | 2500LB ASME B16.34 Group 1.1 |
| Nylon 12: | PCTFE: | 1500LB ASME B16.34 Group 1.1 |
| RPTFE: | PTFE: | 900LB ASME B16.34 Group 1.1 |
| 600LB ASME B16.34 Group 1.1 | 300LB ASME B16.34 Group 1.1 | 150LB ASME B16.34 Group 1.1 |

| | PCTFE | RPTFE | PEEK |
|---------|----------|----------|----------|
| — | -321~302 | -321~392 | -321~392 |
| — | -196~150 | -196~200 | -196~200 |
| | 150~1500 | 150~800 | 150~2500 |
| (D) | 90 | 65 | 80 |
| (MPa) | 36.5 | 20.7 | 75 |
| (%) | 150 | 20 | 40 |
| (g/cm3) | 2.13 | 1.9 | 1.4 |
| 24 (%) | 0.00 | 0.00 | 0.2 |
| | <0.01 | <0.01 | 0.5 |
| | & | & | & |

| | |
|---|-----------|
| — | -425~600 |
| — | -254~316 |
| | 150~1500 |
| | 1/2" ~78" |

Cv

| inch | Class 150 | Class 300 | Class 600 | Class 900 | Class 1500 |
|-------|-----------|-----------|-----------|-----------|------------|
| 1/2 | 17 | 15 | 14 | 12 | 12 |
| 3/4 | 43 | 38 | 34 | 31 | 31 |
| 1 | 86 | 76 | 66 | 61 | 61 |
| 1-1/2 | 227 | 211 | 187 | 167 | 167 |
| 2 | 423 | 384 | 330 | 294 | 294 |
| 3 | 1139 | 965 | 860 | 832 | 749 |
| 4 | 2416 | 2093 | 1759 | 1710 | 1564 |
| 6 | 5241 | 5183 | 4400 | 4212 | 3918 |
| 8 | 10471 | 9991 | 8713 | 8245 | 6921 |
| 10 | 17709 | 17154 | 14573 | 14123 | 11376 |
| 12 | 26241 | 25460 | 22389 | 20864 | 16835 |
| 14 | 32857 | 31176 | 28863 | 24483 | 20967 |
| 16 | 44474 | 42409 | 38998 | 33741 | 27901 |
| 18 | 57002 | 55420 | 50703 | 44491 | 35761 |
| 20 | 73076 | 70180 | 63936 | 55915 | 45445 |
| 22 | 88907 | 85757 | 78750 | - | - |
| 24 | 113639 | 109796 | 99314 | - | - |

- 1.
2. B 16.34
3. MDMT ASME B31.3.
4. SPE 77/200, BS 6364, ASME B16.34 API/ASME/ISO
5. Cv 1PSI /

$$QL = Cv (P/G)^{1/2}$$

$$P = (\quad / \quad)$$

$$G = (\quad G=1)$$

$$Qg = 61Cv (P_2/P/g)^{1/2}$$

$$P_2/P = 1$$

$$Qg = (CFH \text{ at STP})$$

$$P_2 = (\text{psia})$$

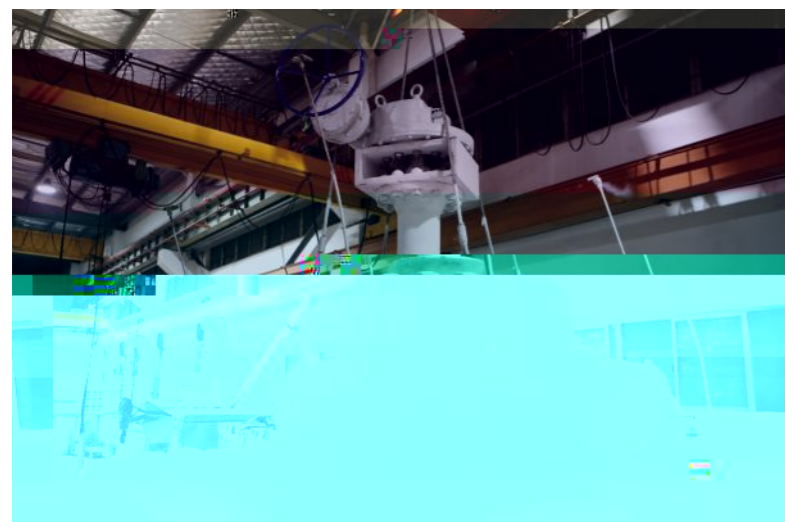
$$g = (\text{for air, } g=1.0)$$

BS6364 SHELL77/200.GB/T24925
-253°C下使用的

2013年以来,液化天然气行

SIS

56英寸低温蝶 52英寸低温 24英寸1500



1

- 1 24 1500
- 2 16 150
- 3 12 1500
- 4
- 5

LNG C



2



3



4



5

18个月或

12个月以内(以先到

)